



EHG Transfer

Ductwork for dust and other fine particulate collection. Transfer components are joined easily with a gasketed tension clamp. It's disassembled just as easily! Cleaning and inspection is simple with EHG Transfer. In fact, these parts can be relocated and reused if necessary.

The duct system is suitable for:

- Particle transportation from woodworking, such as saw mills, carpenters, furniture manufacturers and craft work shops
- Comfort ventilation
- Extraction systems for better working environment
- Plasma cutters
- Specially designed ventilation plants where you have extra demands for form, color and appearance.

Table of Contents

<u>Model</u>	<u>Page</u>	<u>Model</u>	<u>Page</u>
<i>Duct</i>	14	<i>Taps</i>	25
SRTR		PSTR	
ORINGTR		PSVTR	
TLTR1		<i>Take-offs</i>	27
TLTR2		ILTR	
<i>Elbows</i>	16	ILRTR	
BTR		<i>End caps</i>	28
BSTR		EPTR	
BSFTR		<i>Couplings</i>	28
<i>Reducers</i>	19	OUTR	
RCLTR		MFTR	
RLTR		<i>Clamps</i>	30
RRTR		MFK	
<i>Branches</i>	22	SB	
TVTR		SB1	
XVTR		<i>Misc</i>	32
YVTR		BGATETR	
		FSTR	

Specifications

Material shall be one of the following:

- A. Galvanized steel conforming to ASTM standards A653 and A924
- B. Stainless steel type 304L conforming to ASTM standard A240*
- C. Stainless steel type 316L conforming to ASTM standard A240*

(*) Indicates die-stamped (pressed) fitting construction not available

Surface finish shall be one of the following:

- A. G-60 galvanized steel (standard)
- B. G-90 galvanized steel
- C. Stainless steel type 304L 2B finish
- D. Stainless steel type 316L 2B finish

Material thickness shall be one of the following:

- A. 22 gauge except pressed elbows shall be 24 gauge
- B. Other gauges and/or external reinforcement (consult the factory)

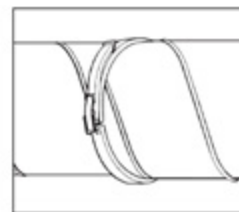
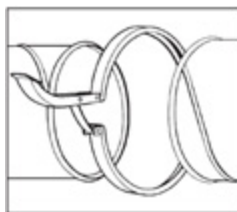
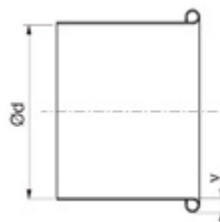
Connections/Joint Sealing

- A. All duct and fitting ends shall be joined externally by means of an integral latching/locking barrel clamp with factory-installed custom form fitting EPDM sealing gasket to ensure no duct penetrations or protrusions into the airstream
- B. Temperature rating for EPDM gasket shall be -22°F to $+167^{\circ}\text{F}$ intermittent
- C. The clip handle shall be secured against inadvertent opening by means of lock pin (supplied by others)
- D. No additional field sealant shall be necessary

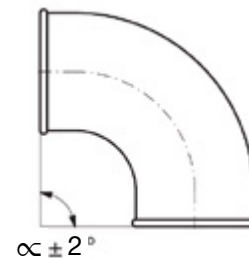


Dimensions of duct and fittings

Ød nom	Ød	v
in	in	in
3	3.1	0.24
4	3.9	0.24
5	4.8	0.24
6	5.8	0.24
7	7.0	0.31
8	7.8	0.31
9	8.8	0.31
10	9.8	0.31
12	11.8	0.40
14	13.8	0.40
16	15.8	0.40
18	17.7	0.40
20	19.7	0.40



Angle tolerance



Transfer

14

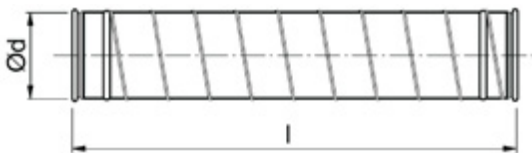


Description

Round spiral with Transfer connection on each end.

Available in diameters 3" - 20"

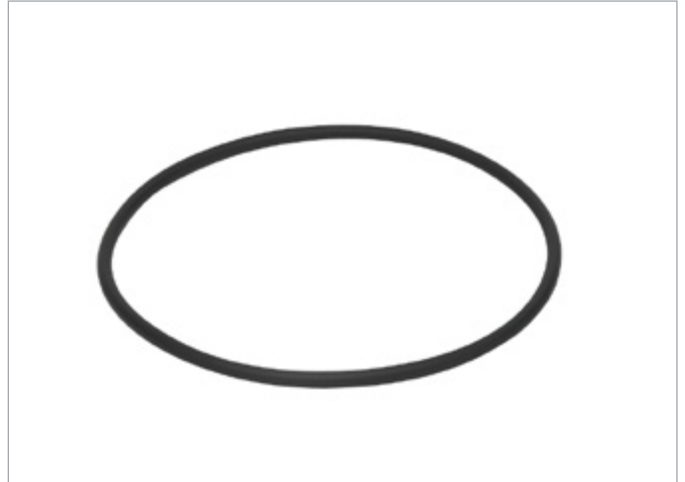
Available in lengths 12" - 120"



Order Example

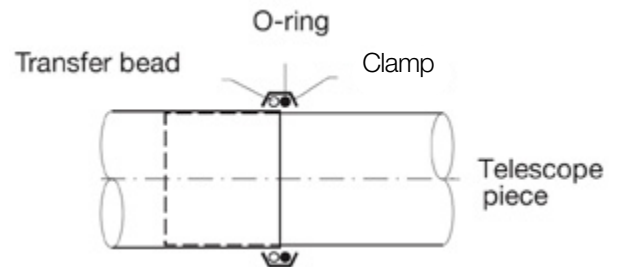
Product _____ SRTR 8
Dimension $\varnothing d$ _____

SRTR/ORINGTR



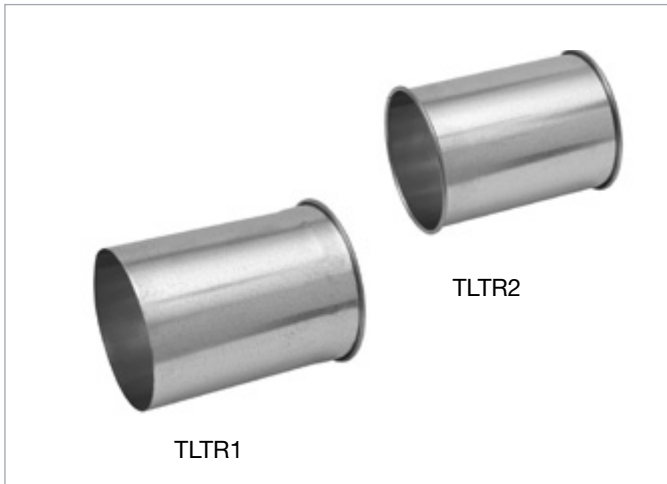
Description

O-ring used in sealing option for TLTR components



Order Example

Product _____ ORINGTR 8
Dimension $\varnothing d$ _____



Description

Used together with the telescopic duct TLTR2 to adjust duct length. Airflow direction travels from TLTR1 towards TLTR2. The maximum extension will be marked on exterior of each TLTR1. Seal joint after assembly by using

- 1) mastic tape, or
- 2) clamp (SB/SB-1) + ORINGTR (sold separately)

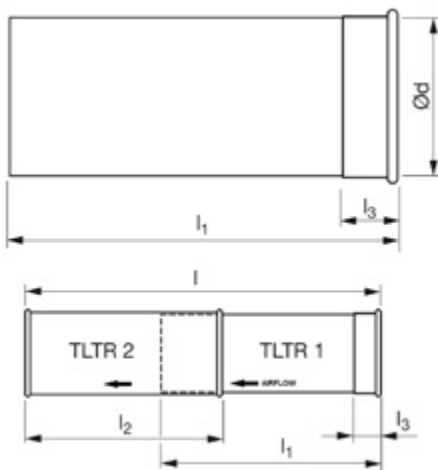
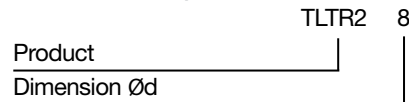
Order Example



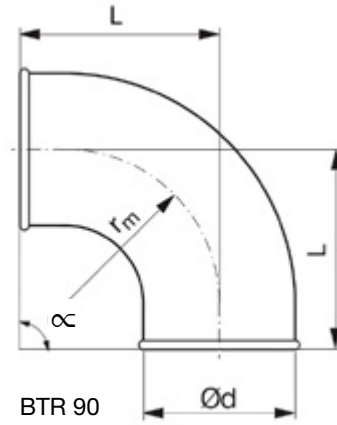
Description

Used together with the telescopic duct TLTR1 to adjust duct length. Can also be used as ordinary duct.

Order Example



Ød nom	t	l ₁ , l ₂	l ₃	l _{min}	l _{max}
in	in	in	in	in	in
3	0.28	9	2.25	11.25	22
4	0.28	9	2.0	11	21.5
5	0.28	9	2.0	11	21.5
6	0.28	9	2.0	11	21.5
7	0.28	9	2.0	11	21.5
8	0.28	14	2.0	16	31.5
9	0.28	14	2.0	16	31.5
10	0.28	14	2.0	16	31.5
12	0.28	14	2.0	16	31.5
14	0.28	14	2.0	16	31.5
16	0.35	14	2.0	16	31.5
18	0.35	14	2.0	16	31.5
20	0.35	14	2.0	16	31.5



Description

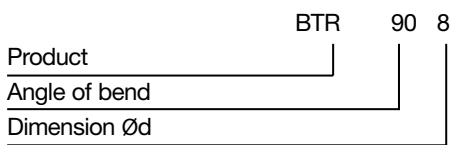
Pressed and seam welded elbow with a Transfer connection on each end.

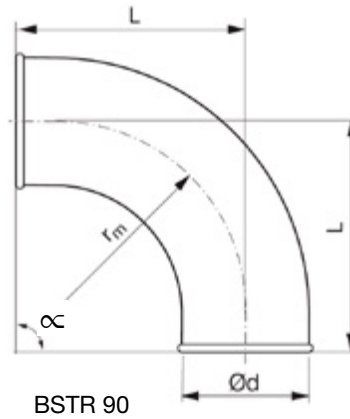
Available angles: 90°, 60°, 45°, 30°

Available diameters: 3" - 12"

$$r_m = 1.0 \times \text{Ød}$$

Order Example





Description

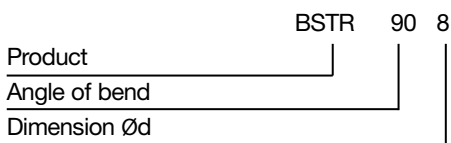
Pressed and seam welded elbow with a Transfer connection on each end.

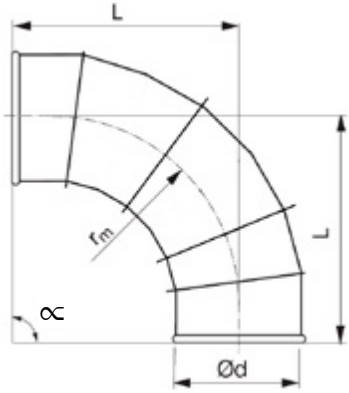
Available angles: 90°, 60°, 45°, 30°

Available diameters: 4" - 12"

$$r_m = 1.5 \times \text{Ød}$$

Order Example





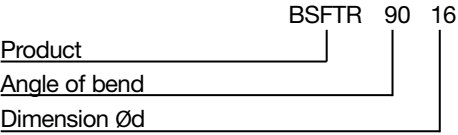
Description

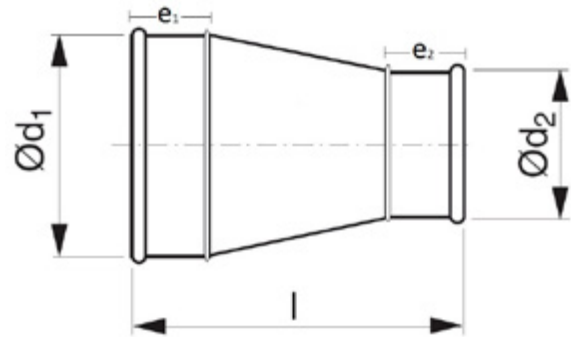
Segmented elbow with a Transfer connection on each end.

Available diameters: 14" - 20"

$$r_m \approx 1.5 \times \text{O}_d$$

Order Example





Description

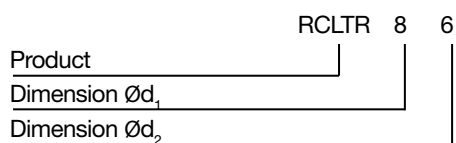
Long, fabricated concentric reducer with a Transfer connection on each end.

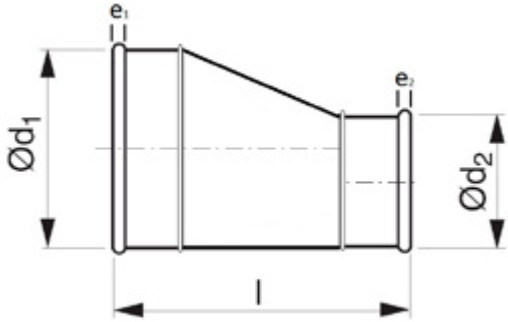
$$L = \text{Ø}d_1 - \text{Ø}d_2 + e_1 + e_2$$

$$L \geq 4''$$

Ød nom	e ₁	e ₂
in	in	in
3	2.25	2.25
4	2.0	2.0
5	2.0	2.0
6	2.0	2.0
7	2.0	2.0
8	2.0	2.0
9	2.0	2.0
10	2.0	2.0
12	2.0	2.0
14	2.0	2.0
16	2.0	2.0
18	2.0	2.0
20	2.0	2.0

Order Example





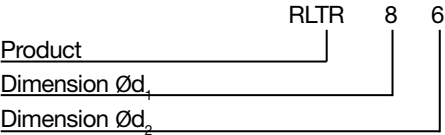
Description

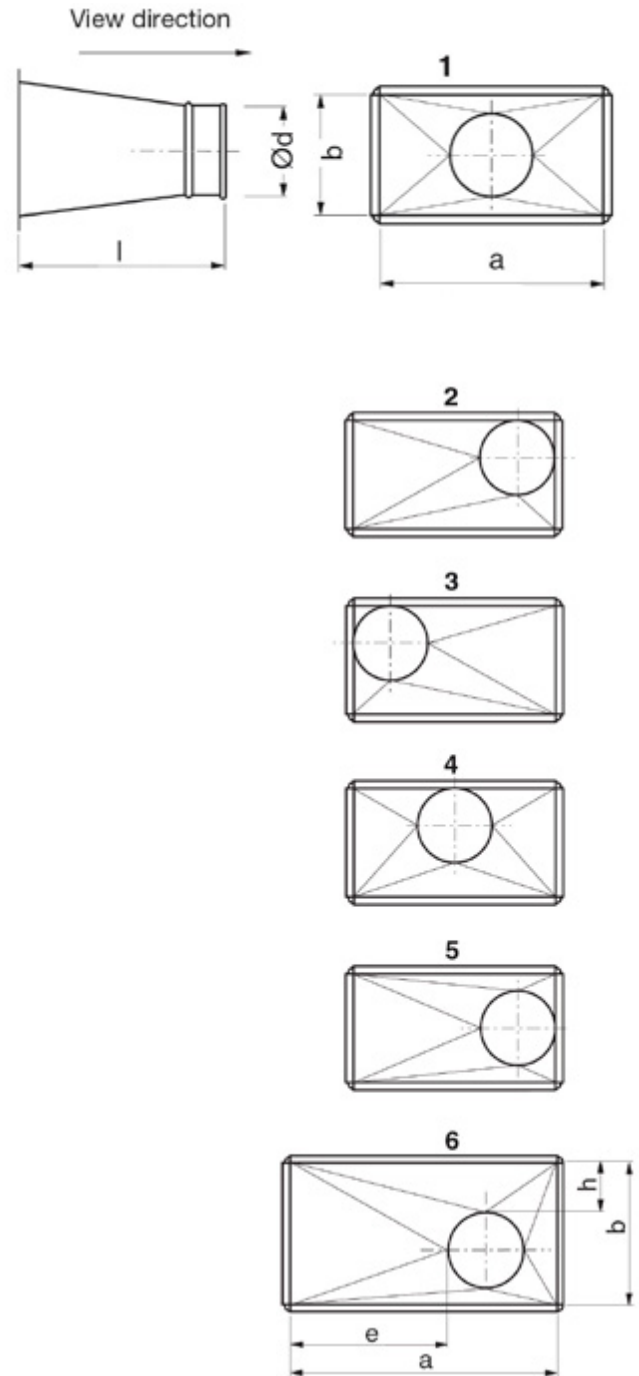
Long, fabricated eccentric reducer with a Transfer connection on each end.

$L = \text{Ø}d_1 - \text{Ø}d_2 + e_1 + e_2$

$L \geq 4"$

Order Example





21

Description

Transition from round EHG Transfer to rectangular connection.

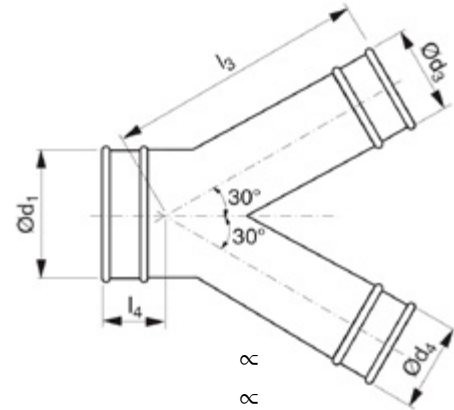
The measures e and h only need to be specified for alternative 6. A negative value for e, for example, means that e is outside dimension a.

Available in Ød diameters 3" - 20"

$L \geq 14"$

Order Example

Product	RRTTR	18 x 12	8	14
Dimension a x b				
Dimension Ød				
Length				



Description

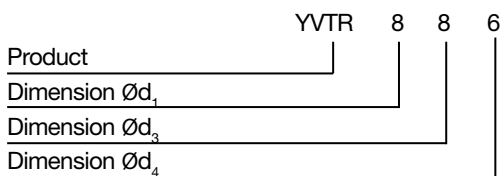
30° Y-piece

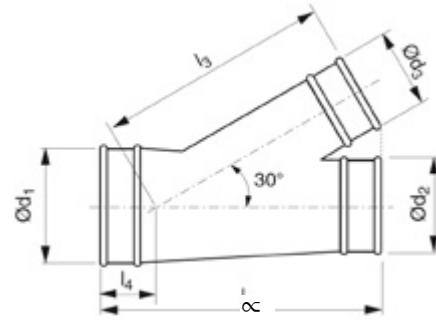
The adjacent table only contains a limited selection of 30° laterals where all dimensions d_1 , d_3 and d_4 are equal in size. Other dimensions are available upon request.

Dimensions

$\varnothing d_1$ nom	$\varnothing d_3$ nom $\varnothing d_4$ nom	l_3	l_4
in	in	in	in
3	3	5.25	2.25
4	4	6.0	2.0
5	5	7.0	2.0
6	6	8.0	2.0
7	7	9.0	2.0
8	8	10.0	2.0
9	9	11.0	2.0
10	10	12.0	2.0
12	12	14.0	2.0
14	14	16.0	2.0
16	16	18.0	2.0
18	18	20.0	2.0
20	20	22.0	2.0

Order Example





Description

30° lateral tee.

The adjacent table only contains a limited selection of 30° laterals. Other dimensions are available upon request.

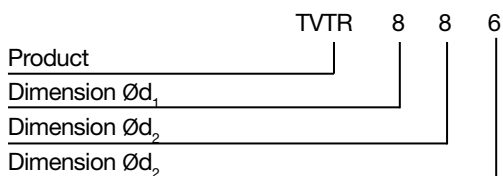
In all combinations, the installation length l_1 is only governed by the branch diameter d_3 . For example, all Tee-pieces with $d_3 = 8"$ have installation length $l_1 = 24"$.

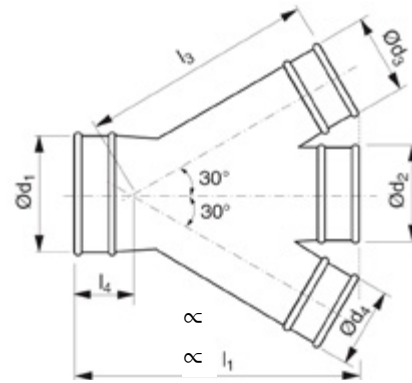
Note: Tap d_3 must be $\leq d_2$ in diameter.

Dimensions

$\text{Ø}d_1$ nom	$\text{Ø}d_2$ nom	$\text{Ø}d_3$ nom	l_1	l_3	l_4
in	in	in	in	in	in
6	4	3	14	12.3	4.7
8	6	4	16	15.0	3.9
10	8	6	20	18.7	4.2
12	10	8	24	22.4	4.5
14	12	10	28	26.2	4.7
16	14	12	32	29.9	5.0
18	16	14	36	33.6	5.3
20	18	16	40	37.4	5.5

Order Example





Description

30° crossing lateral tee.

The adjacent table only contains a limited selection of 30° laterals. Other dimensions are available upon request.

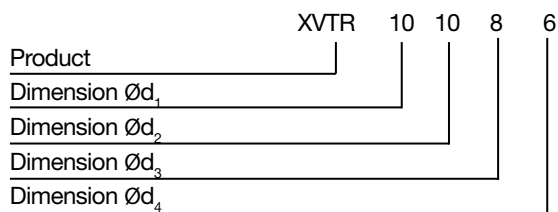
In all combinations, the installation length l_1 is only governed by the larger branch diameter d_3/d_4 . For example, all cross-pieces with $d_3 = 6"$ and $d_4 = 8"$ have installation length $l_1 = 24"$.

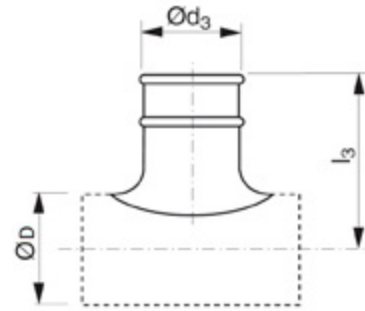
Note: Tap d_3 must be $\leq d_2$ in diameter.
Tap d_4 must be $\leq d_3$.

Dimensions

$\text{Ø}d_1$ nom	$\text{Ø}d_2$ nom	$\text{Ø}d_3$ nom $\text{Ø}d_4$ nom	l_1	l_3	l_4
in	in	in	in	in	in
6	4	3	14	12.3	4.7
8	6	4	16	15.0	3.9
10	8	6	20	18.7	4.2
12	10	8	24	22.4	4.8
14	12	10	28	26.2	4.7
16	14	12	32	29.9	5.0
18	16	14	36	33.6	5.3
20	18	16	40	37.4	5.5

Order Example



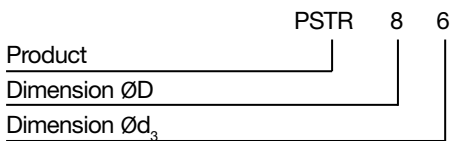


Description

Saddle tap.
The saddle is fixed with two sealing clamps MFK (page 23).
Most sizes Ød_3 3"-16" are pressed. Fabricated options indicated in chart below.

Fabricated Sizes								
Ød_3	ØD							
	8	9	10	12	14	16	18	20
3	•	•	•	•	•	•	•	•
7					•	•	•	•
14					•	•	•	•
18							•	•
20								•

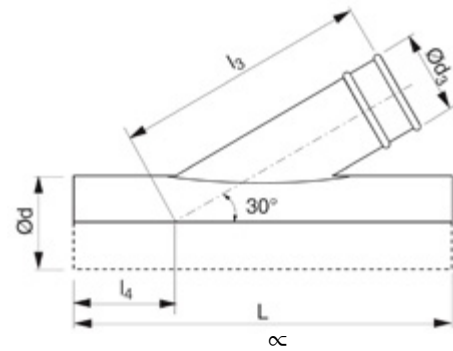
Order Example



Dimensions

$H = X + 0.5(\text{ØD})$
X-dimensions in the chart below:

"X" Dimensions		
Ød_3 nom	Pressed "X"	Fabricated "X"
in	in	in
3	4.25	3.3
4	4.4	n/a
5	4.4	n/a
6	4.6	n/a
7	4.6	3.0
8	4.6	n/a
9	4.6	n/a
10	5.4	n/a
12	5.5	n/a
14	n/a	3.0
16	5.9	n/a
18	n/a	3.0
20	n/a	3.0



Description

30° Lateral saddle tap.

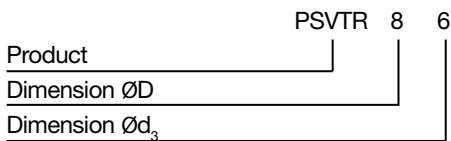
The saddle is fixed with two sealing clamps MFK (page 28). This product should not be installed with screws or blind rivets when used in chip extraction installations.

The adjacent table only contains a limited selection of 30° lateral saddle taps where all dimensions d and d₃ are equal in size. Other dimensions are available upon request.

Dimensions

ØD	Ød ₃ nom	L	l ₃	l ₄
in	in	in	in	in
4	3	10	11.3	3.5
6	4	12	14	2.8
7	5	14	15.8	2.9
8	6	16	17.7	3.1
9	7	18	19.6	3.2
10	8	20	21.4	3.3
12	10	24	25.2	3.6
14	12	28	28.9	3.9
16	14	32	32.6	4.1
18	16	36	36.4	4.4
20	18	40	40.1	4.7

Order Example



Transfer

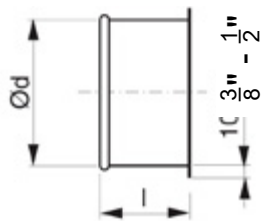
ILTR/ILRTR



Description

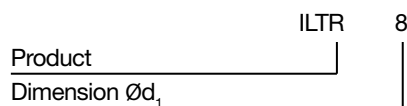
Take-off

Available in diameters 3" - 20"



Ød ₃ nom	L
in	in
3	2.1
4	1.8
5	1.8
6	1.8
7	1.8
8	1.8
9	1.9
10	1.9
12	1.8
14	1.8
16	1.8
18	1.7
20	1.7

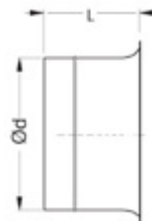
Order Example



Description

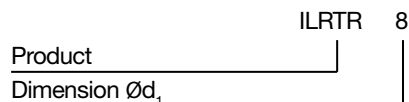
Bellmouth take-off

Available in diameters 4" - 16"



Ød ₃ nom	L
in	in
4	4.0
5	4.0
6	4.7
7	4.7
8	4.7
9	4.8
10	5.6
12	5.4
14	5.4
16	5.9

Order Example

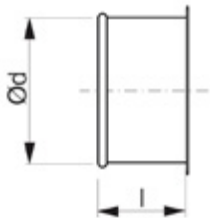




Description

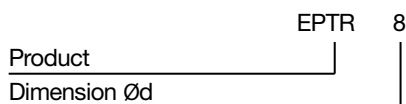
End cover

Available in diameters 3" - 20"



$\varnothing d_1$ nom	L
in	in
3	2.1
4	1.9
5	1.9
6	1.9
7	1.9
8	1.9
9	1.9
10	1.8
12	1.8
14	1.8
16	1.8
18	1.8
20	1.8

Order Example



Description

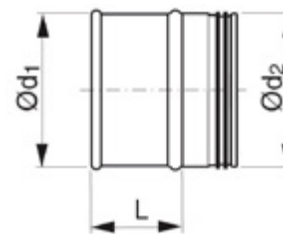
Coupling between Transfer and G-3 systems.

Available in diameters 3" - 20"

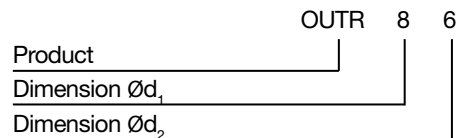
Lengths

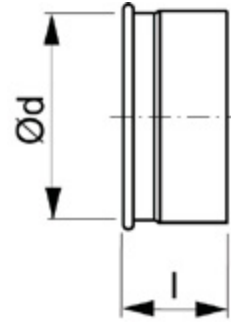
3" diameter = 2.25"

4" - 20" diameter = 2"



Order Example





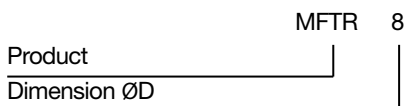
Description

Coupling with female end between Transfer and G-3 systems.

Available in diameters 3" - 20"

Ød _i nom	L
in	in
3	3.7
4	3.6
5	3.6
6	3.6
7	3.6
8	3.6
9	3.6
10	4.5
12	4.5
14	4.5
16	5.0
18	5.0
20	5.0

Order Example





30

Description

The inside of the sealing clamp is clad with EPDM rubber gasket.

Used for attaching slide-on stub saddle PSTR and PSVTR (page 24-25).

Available in diameters 3" - 20"

Order Example

Product	MFK	8
Dimension ØD		

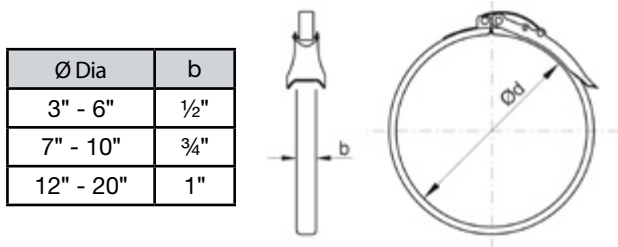


Description

The heavy-duty barrel clamp used for connecting EHG Transfer is provided with a rubber gasket. The solid clamp handles can be secured against inadvertent opening by means of a lock pin (supplied by others).

Temperature range -22 to +167 °F continuous
 -40 to +185 °F intermittent

Available in diameters 3" - 20"



Order Example

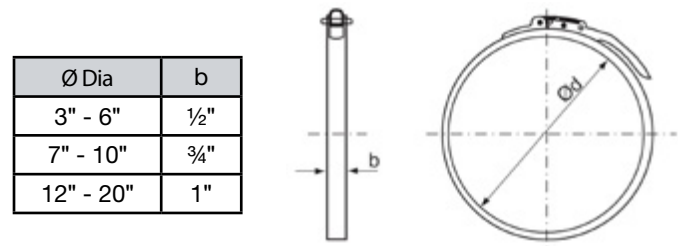


Description

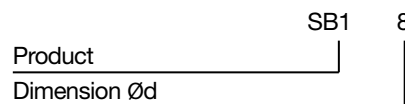
The standard barrel clamp used for connecting EHG Transfer is provided EPDM rubber gasket and a thread spring. The clip split handle can be secured against inadvertent opening by means of a lock pin (supplied by others).

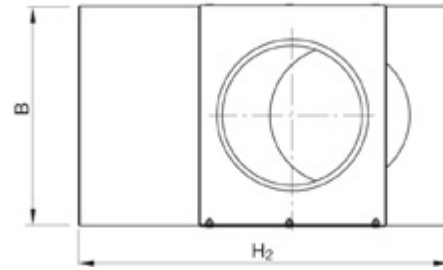
Temperature range -22 to +167 °F continuous
 -40 to +185 °F intermittent

Available in diameters 3" - 20"



Order Example





Description

Full blast gate used to shut off air flow in a EHG Transfer system. Constructed with a Transfer connection on each end.

Gauge:

- 22 (standard for 3"-9")
- 20 (standard for 10"-16")
- 18

Connections:

- **BGATETR** Transfer (standard)
- **BGATEG EHG G-3**
- **BGATE** Nongasketed

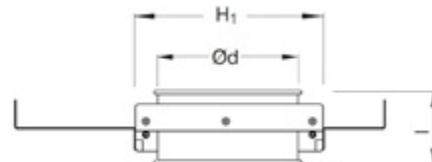
Diameters: 3" - 16"

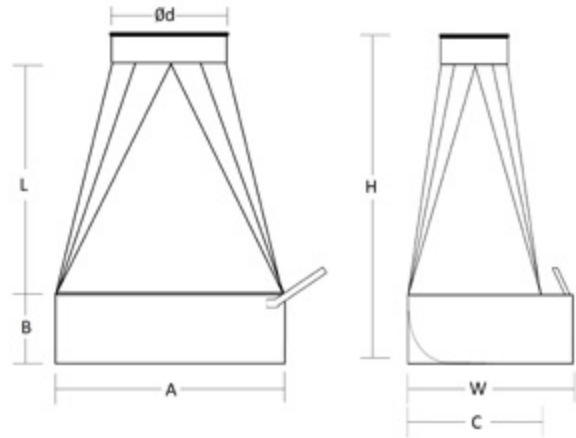
Ød	B	l	H ₁	H ₂
3	6	4.4	5	8.25
4	7	3.8	6	10.25
5	8	3.8	7	12.25
6	9	3.8	8	14.25
7	10	3.8	9	16.25
8	11	3.8	10	18.25
9	13.75	3.8	11	20.25
10	14.75	3.6	12	22.25
12	16.75	3.6	14	26.25
14	18.75	3.6	16	30.25
16	20.75	3.6	18	34.25

All dimensions in inches.

Order Example

Product	BGATETR	8
Dimension Ød		





Description

The floorsweep is used in a EHG Transfer particulate collection system. Constructed with a sweeping vane over interior corner for improved velocity.

Gauge:
- 24

- Connections:
- FSTR Transfer (standard)
 - FSG EHG G-3
 - FS Nongasketed

Diameters: 4" - 8"

Ød	A	B	C	L	H	W
4	12	4	4	12	18	6
5	12	4	4	12	18	6
6	12	4	4	12	18	6
8	12	4	4	12	18	6

All dimensions in inches.

Order Example

